

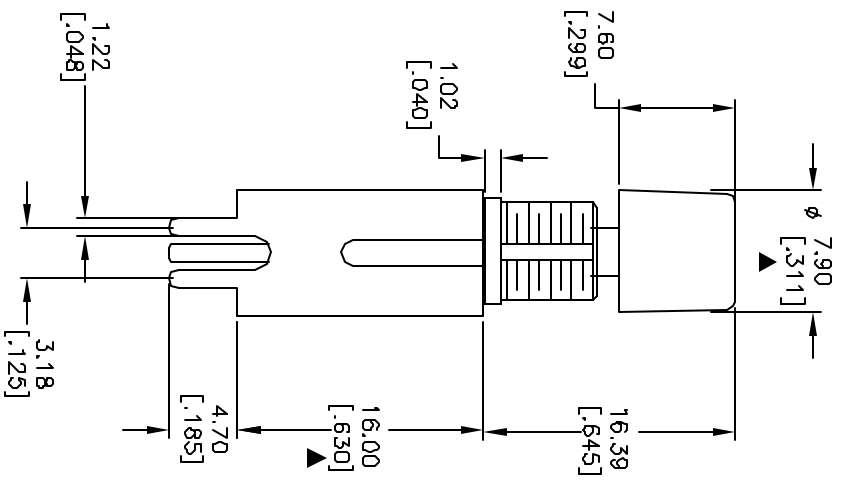
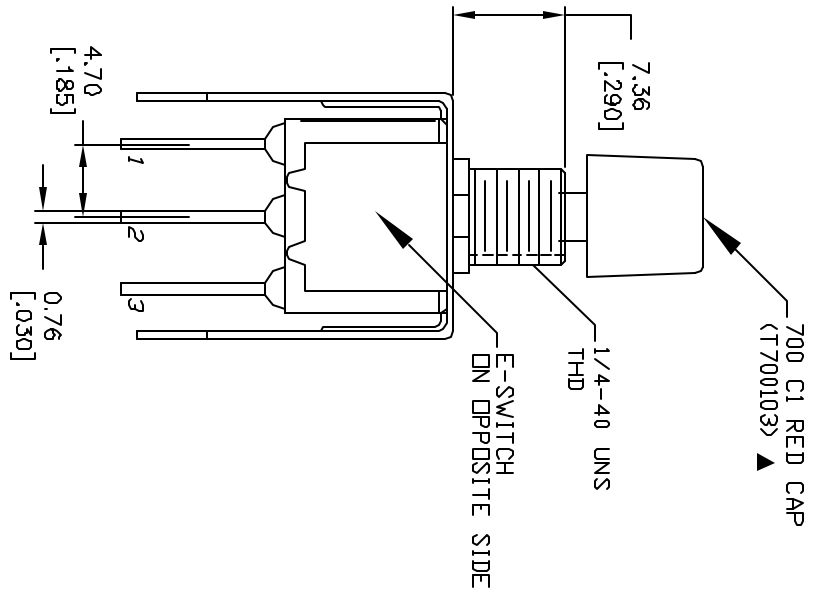
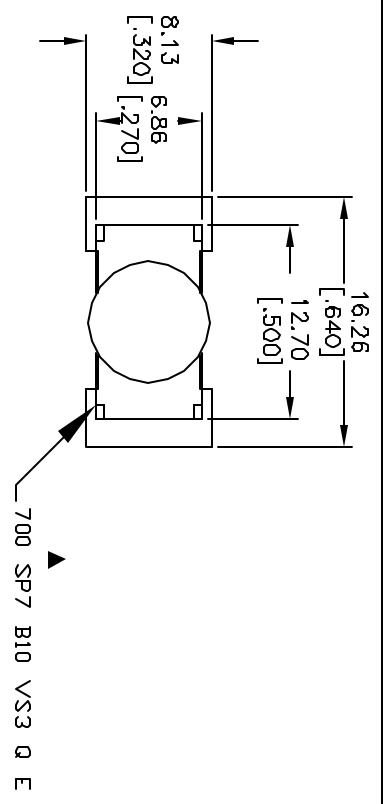
CIRCUIT: SPDT

SWITCH FUNCTION	DN	1-2
DN	(DN)	
1-3		1-2

< > = MOMENTARY

NOTES:

1. ALL DIMENSIONS IN MM [INCH]
2. GENERAL TOLERANCE: X.X=±0.4  
X.XX=±0.25
3. TERM. NOS. FOR REF. ONLY
4. RATING: 1A @ 250VAC; 3A @ 125VAC
5. FIXED TERM. & MOVING CONTACT:  
Copper Alloy w/Silver Plate
6. CONTACT RESISTANCE: 10milli-ohms initial  
@2-4VDC
7. ELECTRICAL LIFE: 50,000 make-and-break  
cycles at full load.
8. INSULATION RESISTANCE: 1,000M ohm min.
9. DIELECTRIC STRENGTH: 1000V RMS @sea level
10. OPERATING TEMP.: -30°C to 85°C
11. ▲ DENOTES CRITICAL PARAMETER.



**E-SWITCH®**

REV.	ECN No.	DESCRIPTION	DATE	CHKD	TITLE	SCALE	DATE	DR	DWG	REV
A	12809	RELEASED FOR PRODUCTION	2/12/03	CJB	700 SP-7 B10 VS3 Q E (C1 RED CAP)	2:1	2/12/03	RC	XT0109P	A

THE INFORMATION CONTAINED IN THIS DOCUMENT IS PROPRIETARY TO E-SWITCH AND IS NOT TO BE COPIED OR TRANSMITTED